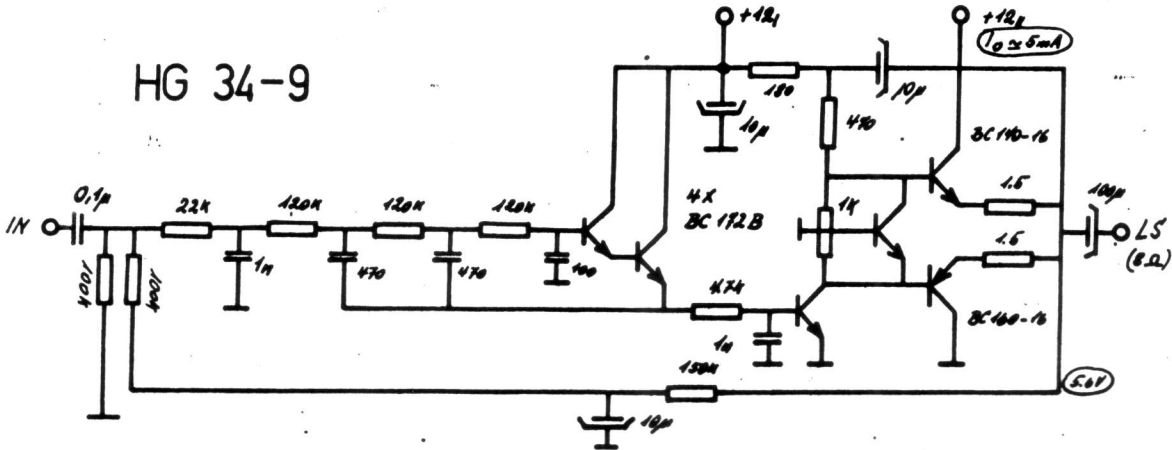


HG 34-9



U_{in}	0	200 mV SS
LS_8	0	6 V SS
R_e		50 kOhm
I	20	160 mA
δ_u		150 Hz
δ_0	3 dB	3000 Hz
	6 dB	3800 Hz
	10 dB	4700 Hz
	20 dB	5500 Hz

